



The leader in smart horticultural lighting.



“LumiBar will pay back our investment in 17 months.”
— Gail Robin
Golden Point Organic Produce



LumiGrow LumiBar™ LED Strip Light

LumiBar LED Strip Light for Multi-layer Plant Product and Research

The LumiBar solution from LumiGrow provides precise lighting control for multilayer cultivation and research. Apply the default settings or tune the LumiBar to your preferred light intensity and color ratio for every stage of crop growth. Assess crop characteristics with the white setting.

Best for Your Plants

Unlike fluorescent fixtures, the LumiBar provides reliable illumination at all temperatures and will not degrade. While other LED products require cobbling together parts, leading to unexpectedly high costs and complexity, the all-in-one LumiBar is ready to grow right out of the box.

The cool-running LumiBar is safe for plants and backed by LumiGrow’s no-hassle warranty. You’ll enjoy maintenance-free operation for many years to come. Never change a fluorescent bulb again.

Lowest Cost of Ownership

The energy-efficient LumiBar typically costs 40% less to operate compared to fluorescent lamps. New sites see dramatically lower infrastructure costs because of reduced electrical requirements. LumiGrow lights also eliminate the need for ballasts and reflectors while they minimize cooling loads, accelerating your payback. Growers see electrical bills trimmed by approximately half, month after month, year after year.

Remarkably Simple to Install and Operate

The LumiGrow system requires no custom configuration and seamlessly operates alongside conventional lighting. Most growers maximize the yield-boosting and cost-saving benefits of LumiGrow with a full-scale new installation or retrofit; others replace conventional lights as they age. Either way, LumiBar lights last up to 10 times longer than fluorescent lights without degradation.

How It Works

LumiGrow smart horticultural lighting solutions are engineered exclusively for plants. LumiGrow engineers partner with growers and scientists to develop products that meet commercial demands, from auto-sensing voltage input to shadow-minimizing, compact product design.

Conventional lights squander more than half the energy they consume because they emit broad swaths of the color spectrum that are useless to plants. The LumiGrow Enhanced Spectrum system emits only those portions of the color spectrum that trigger healthy plant responses. In addition to concentrated 450-475nm (blue) and 625-660nm (red) wavelengths, the LumiBar delivers spectra throughout the photosynthetically active region (PAR).

Applications

- Multilayer production
- Indoor and Vertical Farms
- Plant Research
- Controlled chambers



Request a customized savings projection and lighting plan.
Contact **LumiGrow (800) 514-0487** www.lumigrow.com

Key Features

Maximum Light Density Delivers Concentrated Growing Power

- Enhanced spectral output covering full PAR (400-700nm) promotes photosynthesis
- More power per Watt than any other horticultural lighting fixture
- 5-Watt super-flux LEDs

Thermal Management Provides Long-Lasting Performance

- Fanless fixture design keep LEDs running cool
- Operates safely without high voltage

Energy Efficiency Reduces Your Costs

- Uses 50% less power than T8 fluorescents
- Eligible for energy utility rebates

Make the Environmentally Responsible Choice

- RoHS compliant
- Mercury free
- Long lasting

Gain Control at Your Fingertips

- Individually adjustable Red, White and Blue balance knobs allow precise 3-channel spectral control
- Compatible with automated control systems
- View mode (white) for plant inspection

Installs and Operates Simply

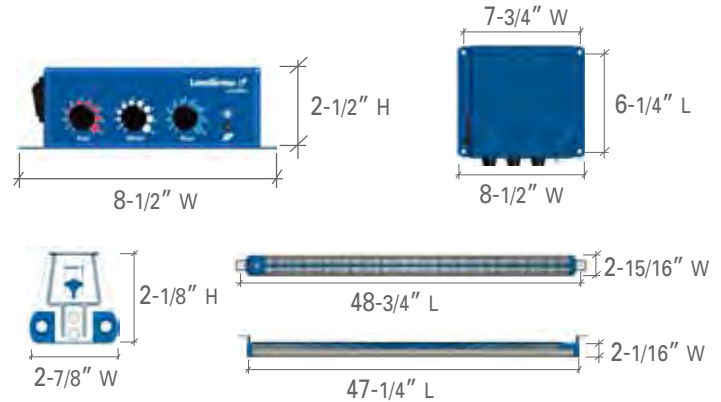
- Smart Volt auto-switching and regulating power supply adjusts to appropriate voltage for international use

Built to Last

- Light-weight, yet strong powder-coated aluminum hardware
- IP67-rated waterproof fixture
- 5-year warranty
- Designed and built in USA

Technical Specifications

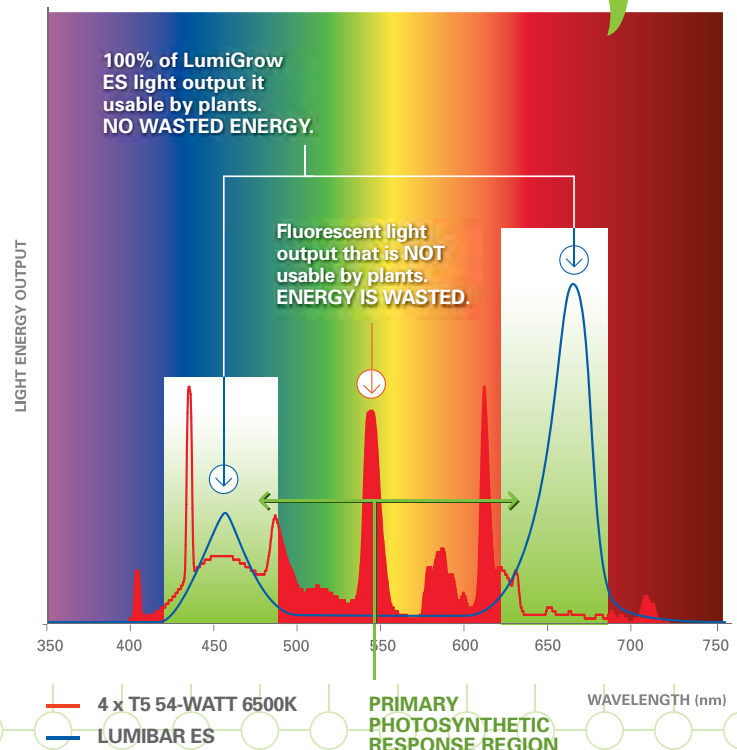
Operating Voltage	90-264 VAC (auto-switching) (5A max/2.5A max)
Operating Frequency	50Hz-60Hz
Typical Energy Consumption	200 Watts
Weight	7 lbs (fixture), 3 lbs (controller)
Operating Temperature	- 4° F to 140° F (- 20° C to 60° C)
Lifespan	50,000 hours



Targeted Spectral Output

All light emitted by the LumiBar system triggers healthy plant responses, boosting your yield and reducing your costs.

Fluorescents do not produce adequate red light for healthy flowering and fruiting.




Request a customized savings projection and lighting plan.

Contact **LumiGrow**
(800) 514-0487
www.lumigrow.com