

# Mastercolor CDM-T Elite Med Wattage Agro

Mastercolor CDM-T Elite 315W T12 CL Agro P

Philips Elite Agro 315W T12 Lamp provides a compact and efficient metal halide solution for the horticulture market. This lamp, combined with the efficient ballast, provides outstanding growth light performance over the life of the product.



## Product data

### • General Characteristics

Base	PGZX18.
Bulb	T12 [38 mm]
Bulb Finish	Clear
Operating Position	Universal [Any or Universal (U)]
Main Application	Agro
Life to 10% failures EL	12000 hr
Avg. Hrs. Life	30000 hr

Lamp Wattage EL	315.0 W
25°C, Nominal	
Lamp Voltage	98 V
Lamp Current EL	3.15 A
Lamp Current Run-Up	4.7 A
Ignition Time	3 (max) s
Run-up time 90%	3 (max) min
Re-ignition Time [min]	10 (max) min

### • Light Technical Characteristics

Color Code	-
Color Rendering Index	92 Ra8
Color Designation	-
Color Temperature	3100 K
Color Temperature technical	3100 K
Initial Lumens	33000 Lm
Luminous Efficacy Lamp EL	105 Lm/W
Lumen Maintenance 8000h	90 %
Photosynthetic Photon Flux PPF	1.9 umol/s
Chromaticity Coordinate X	0.41 -
Chromaticity Coordinate Y	0.365 -

### • Environmental Characteristics

Energy Efficiency Label (EEL)	A+
Mercury (Hg) Content	28 (max) mg
Picogram per Lumen Hour	44.4 p/LuHr
Energy consumption kWh/1000h	346 kWh

### • UV-related Characteristics

Damage Factor D/fc PET (NIOSH)	0.17 -
UV A	241 h500lx
UV B	4.65 mW/cm <sup>2</sup>
UV C	0.02 mW/cm <sup>2</sup>

### • Luminaire Design Requirements

Cap-Base Temperature	250 C
Pinch Temperature	350 (max) C
Bulb Temperature	350 (max) C

### • Electrical Characteristics

Watts	315 W
Lamp Wattage EL 25°C, Rated	315.0 W

**PHILIPS**

# Mastercolor CDM-T Elite Med Wattage Agro

## • Product Dimensions

Overall Length C	193 mm
Diameter D	38 mm
Light Center Length L	88 (min), 90 (nom), 92 (max) mm
Arc Length O	14 mm
Maximum Overall Length [inch]	7.6 (max) in
Light Center Length L	3.54 in
Diameter D	1.5 in

## • Product Data

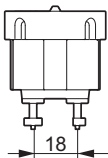
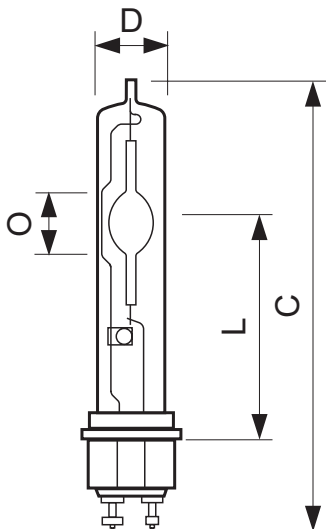
Product number	415216
Full product name	Mastercolor CDM-T Elite 315W T12 CL Agro P
Short product name	CDM ELITE 315W/T12/AGRO
Pieces per Sku	1
eop_pck_cfg	12
Skus/Case	12
Bar code on pack	46677415211
Bar code on case	50046677415216
Logistics code(s)	928601172201
eop_net_weight_pp	0.001 kg

## Warnings and Safety

- R "WARNING: These lamps can cause serious skin burn and eye inflammation from short wave ultraviolet radiation if outer envelope of the lamp is broken or punctured. Do not use where people will

remain for more than a few minutes unless adequate shielding or other safety precautions are used. Certain lamps that will automatically extinguish when the outer envelope is broken or punctured are commercially available." This lamp complies with FDA radiation performance standard 21 CFR subchapter J. (USA:21 CFR 1040.30 Canada: SOR/DORS/80-381)

## Dimensional drawing



PGZX18.

## Mastercolor CDM-T Elite 315W T12 CL Agro P

Product	C (Norm)	C (Max)	D (Norm)	D (Max)
CDM TMW 315W PGZX18. U Agro P	193	-	38	-



© 2015 Koninklijke Philips N.V. (Royal Philips)  
All rights reserved.

Specifications are subject to change without notice. Trademarks are the property of Koninklijke Philips N.V. (Royal Philips) or their respective owners.

[www.philips.com/lighting](http://www.philips.com/lighting)

2015, August 29  
data subject to change