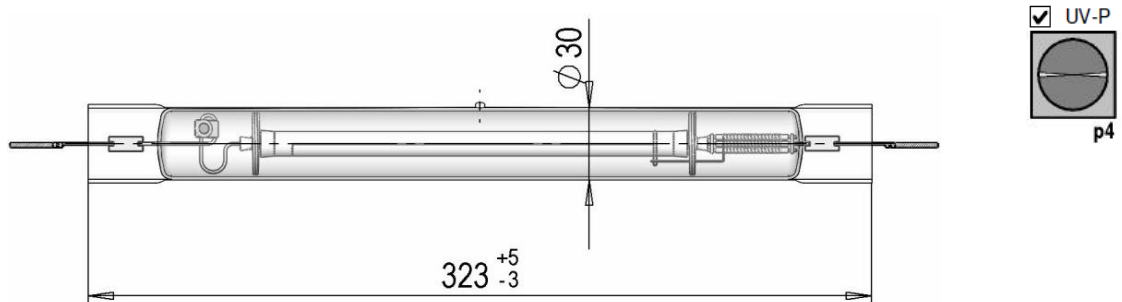


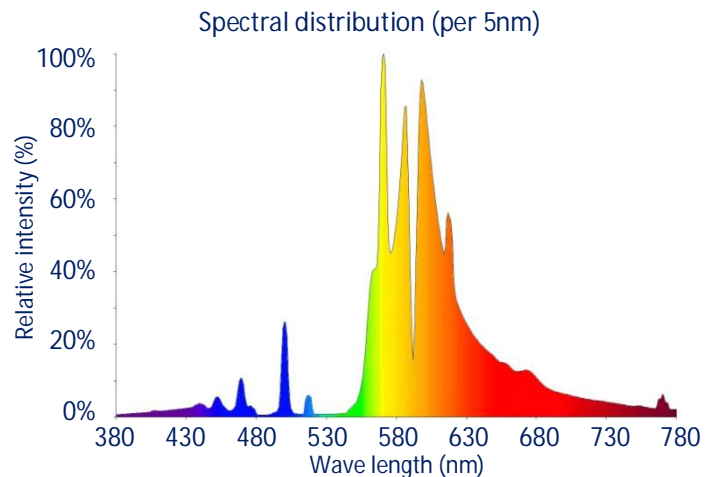
### AHS-DE1000W/PRO-PLUS

	High pressure sodium lamp for plant growth
Description	Spectral distribution optimized for photosynthesis efficiency High red light ratio and blue output for healthy plant growth and robustness Superior $\mu\text{mol}$ output within the PAR spectral range (Photosynthesis Active Radiation) Economic (long average life, high $\mu\text{mol}$ output, low energy consumption) Easy lamp change
Application	Efficient growth lighting in professional greenhouses

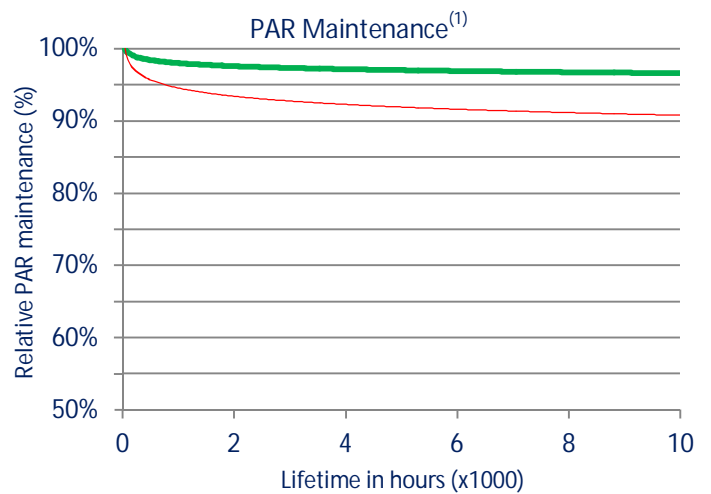
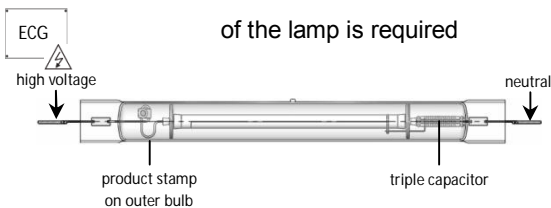
### Specifications



Designation	AHS-DE1000W/PRO-PLUS
Order number	5002442
ILCOS-Code	ST-1000-E230/S-Litze-33,5/330
Lamp wattage	1000 W (+/- 3%)
Lamp current	4,8 A
Lampe voltage	230 V
Ignition voltage	3,2 kV (peak to earth)
PAR	2100 $\mu\text{mol/s}$
Average lifetime	10000 h



Control gear	1000W electronic; 100-150 kHz
Base	cables
Bulb contour	tubular
Bulb type	clear
Attention	correct insertion and connection of the lamp is required



<sup>(1)</sup> The trend line is based on tests under defined and stable laboratory conditions. Measurements are performed on naked lamps in an Ulbricht sphere with a Licor LI 190. The red line shows the minimum average PAR maintenance.