

RL FLOWMASTER®

OPERATING INSTRUCTIONS

for

ATOMIST ELECTRIC SPRAYERS

Models: 1952B, 1026B, 1026XB, 1026BG,
1026BR, 1026BP

SPECIAL NOTICE TO USERS

Damage in transit, wearing of nozzles or other parts, temperature, altitude, climatic factors and manners of use may effect the performance of this equipment. Careful maintenance, approved calibration procedures and repeated testing of output are necessary for safe and satisfactory results. Users must determine that the rate of application is proper for the chemical being used and the conditions under which it is being applied.

**BEFORE USE, READ THIS MANUAL COMPLETELY.
KEEP MANUAL FOR FUTURE REFERENCE.**

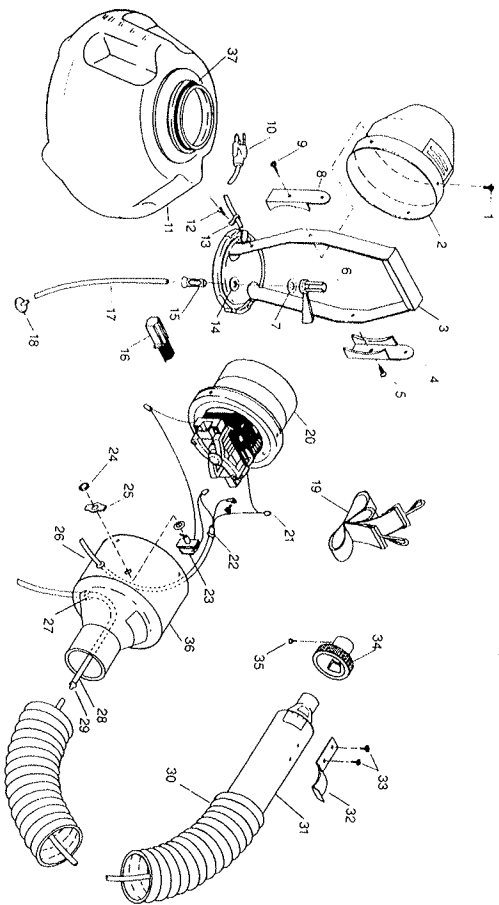


Figure No.

Figure No.	Part No.	Description
1	952-650	Housing Screw
2	952-650	Intake Housing
3	952-602	Handle and Frame Assembly
4 & 8	953-692	Strap Hangers
5 & 9	802-117	Frame Screws
6	953-050	Valve Lever
7	802-378	Spring Washer
10		Available in Cord Kit Only
11	952-952	Canister Cord
12		Available in Cord Kit Only
13		Available in Cord Kit Only
14	953-000	Grommet (2 required)
15	955-570	Pressure Tube
16	953-500	Brush Kit (2 required)
17 & 28	926-670	Supply Kit (Clear)
	954-320	Supply Tube (Black)
	941-380	Intake Strainer
18	955-020	Carrying Strap
19		Motor
20		Wire Connector
21		Cord Stop
22		Switch
23		Switch Plate Nut
24		Off/On Plate
25		Grommet
26	950-460	Push Nut
27	801-276	Adapter (to connect supply tube only)
29	954-830	Flex Hose
30	944-855	Outlet Nozzle
31		Storage Hook
32	953-140	Adjustment Hub
33	802-043	Hub Screw
34	952-630	Outlet Housing
35	801-796	Canister Gasket
36	941-400	Fan
**NI	954-545	Motor Kit (110 Volt)
NI	944-820	Motor Kit (220 Volt for AX & XG Models)
NI	944-830	Motor Kit (220 Volt for XK Models)
NI	804-072	Switch Kit
NI	944-825	Outlet Nozzle Kit (Clear)
NI	944-840	Outlet Nozzle Kit (Black)
NI	944-855	Outlet Nozzle Kit (Clear)

**NI - Not Illustrated.

WARNINGS:

- DO NOT operate this sprayer in small, enclosed areas, or any area where any spray or foreign material could be sucked into the air intake.
- DO NOT overheat the motor. Be sure air intake is kept open at all times.
- DO NOT use this sprayer for paint spraying.
- DO NOT spray gasoline or other flammables.
- DO NOT alter the sprayer.
- DO NOT store chemicals in canister
- ALWAYS READ AND FOLLOW instructions for chemical to be applied.
- IF SPRAY PATTERN BECOMES IRREGULAR, turn sprayer off, remove the intake strainer and clean the screen.
- IF CORD BECOMES DAMAGED, it must be replaced before further use.
- DO Clean sprayer thoroughly after each use.

SERVICE POLICY:

Do not attempt service or parts replacement beyond installation of parts listed in this manual. Service to the motor requires special equipment and discharge rates are carefully tested after service by factory personnel. For this reason, we recommend that you always return your sprayer to Root-Lowell Manufacturing Co. for service. Before returning the sprayer, clean thoroughly. Units containing spray solution residue will not be accepted and returned to the sender freight collect. Pack the unit carefully, enclosing a note describing the problem and send to:

Customer Service Department
Root-Lowell Manufacturing Co.
1000 Foreman Rd.
Lowell, MI 49331

NOTE: Buyer assumes all responsibility for safety and use not in accordance with instructions.

1952B OPERATION

Fill the canister with the desired amount of spray material. Reposition the sprayer on canister top and snap clamp so it fits tightly. Check the switch to make sure it is "off" before plugging into a 110/120 volt AC outlet. Once operating, the discharge rate of the sprayer may be adjusted by turning the discharge control.

Spray Adjustment: The 1952B has an adjustment range of 1.5 to 5.3 gallons/hr. Spray direction is variable through all degrees between 35 upward to 35 downward.

Wettable Powders: The 1952B sprays wettable powders at a maximum discharge rate of 5.3 gallons/hr. Preliminary testing is recommended to insure that desired rate is obtainable. Shake or agitate solution periodically to keep powders in suspension.

Spray Patterns: The 1952B atomizes 95% of its output of less than 50 microns. Average particle size is 20 microns.

After Use: To store the 1952B or change spray materials, detach the sprayer from the canister and turn it "on" to flush out any spray material. The sprayer should be emptied of any unused spray solution and the canister should be washed after which the unit should be reassembled. After use with wettable powders, detach the canister, immerse the supply tube in clear water and flush until no residue can be seen in the supply tube. Wash the canister thoroughly.

1026B OPERATION

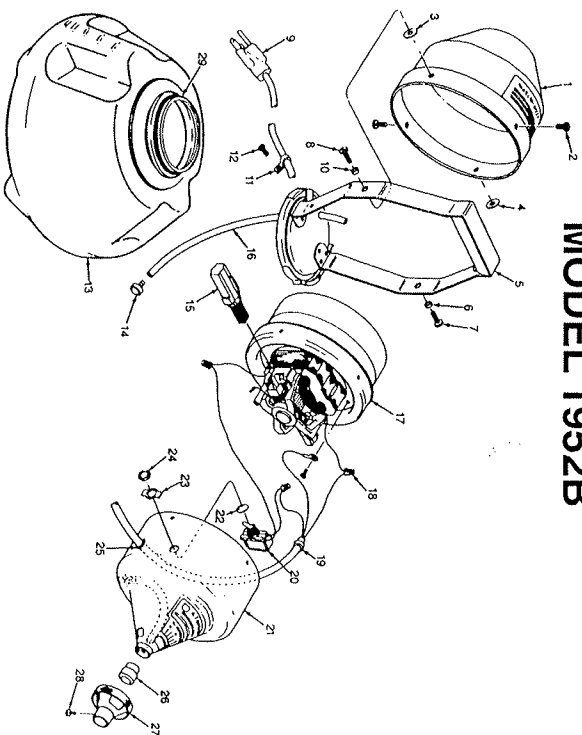
Fill the canister with the desired amount of spray material. Reposition the sprayer on the canister top and snap clamp it fits tightly. Check the spray selector valve on the tube that extends from the motor housing to the tank cover plate and set it according to the desired spray pattern. "Heavy" setting is achieved with valve lever turned full left (counter-clockwise.) This covers the valve opening and pressurizes the canister. Heavy setting produces a dense wetting spray ideal for application of residual or surface type spraying. "Fine" setting is achieved by turning valve lever full right (clockwise.) This opens the valve and allows air not utilized in spray discharge to escape. Fine setting produces ultra fine particles ideal for flying insect control. Check the switch to make sure it is "off" before plugging into a 110/120 Volt AC outlet for 1026B. 1026XB, 1026BG, 1026BR and 1026BP are wired for 220 volt. Once operating, the discharge rate may be adjusted by turning the discharge control at end of hose.

Spray Adjustment: The "fine" (unpressurized) setting has an adjustment rate of 1.5 to 3.5 gallons/hr. On "heavy" pressurized setting, the adjustment rate is 6 to 14 gallons/hr. Spray direction is variable through manipulation of the discharge hose.

Wettable Powders: Preliminary testing is recommended to insure that desired rate is obtainable. Shake or agitate solution periodically to keep powders in suspension.

After Use: When the unit is turned "off" after spraying, siphoning action may continue for a moment, resulting in a solid stream of spray material. To prevent this, tip the nozzle up straight as you switch "off" the motor thus flushing spray solution remaining in the discharge line back into canister. To store the 1952B or change spray materials, detach the sprayer from the canister and turn it "on" to flush out any spray material. The sprayer should be emptied of any unused spray solution and the canister should be washed after which the unit should be reassembled. After use with wettable powders, detach the canister, immerse the supply tube in clear water and flush until no residue can be seen in the supply tube. Wash the canister thoroughly.

MODEL 1952B



Parts List for Model 1952B

Figure No.	Part No.	Description
1	952-650	Intake Housing
2	Available in Housing Kit Only	Housing Screw
3 & 4	Available in Housing Kit Only	Spring Washer
5	952-602	Handle and Frame Assembly
6 & 10	Available in Housing Kit Only	Shoulder Bushing
7 & 8	Available in Housing Kit Only	Housing Screw
9	Available in Cord Kit Only	Cord
11	Available in Cord Kit Only	Cord Clamp
12	Available in Cord Kit Only	Cord Clamp Screw
13	952-552	Canister
14	941-380	Intake Strainer
15	953-500	Brush Kit (2 required)
16	927-730	Supply Tube (19")
17	Available in Motor Kit; Switch Kit and Housing Kit Only	Motor (120 volt)
18	Available in Motor Kit; Switch Kit and Housing Kit Only	Wire Connector
19	Available in Motor Kit; Switch Kit and Housing Kit Only	Cord Stop
20	Available in Switch Kit Only	Switch
21	944-865	Outlet Housing
22	Available in Switch Kit Only	Lock Nut
23	Available in Switch Kit Only	Off/On Plate
24	Available in Switch Kit Only	Switch Plate Nut
25	950-460	Grommet (2 required)
26	952-610	Nozzle (Brass)
27	952-630	Adjustment Hub
28	801-796	Hub Screw (Brass)
29	805-202	Canister O-ring
NI	946-705	*Housing Kit
NI	944-825	Switch Kit
NI	944-820	Cord Kit
NI	944-850	Motor Kit - 1952B
NI	944-785	Motor Kit - 1952BP

*Housing kit includes 1 ea.: #1, 14, 16, 21, 25, 26, 27, 28 plus other parts as marked on above list

IF YOU HAVE QUESTIONS REGARDING YOUR SPRAYER, PLEASE CALL 1-800-253-4642, MONDAY - FRIDAY, 8:00A.M. TO 7:00P.M., ET

Price List*			
Parts For Model 1026B Atomist			
Effective 8/1/08			
Figure #	Part #	Description	Retail Price
1	802-115	Housing Screw	.50
2	952-650	Intake Housing	3.13
3	952-602	Handle & Frame Assembly	41.16
4&8	953-692	Strap Hangers	2.39
5&9	802-117	Frame Screws	.50
6	953-050	Valve Lever	2.44
7	802-378	Spring Washer	.50
10		Cord (available in Cord Kit Only)	
11	952-552	Canister	13.89
12		Cord Clamp Screw (available in Cord Kit Only)	
13		Cord Clamp (available in Cord Kit Only)	
14	953-000	Grommet (2 required)	.50
15	953-533	Pressure Tube	4.03
16	953-500	Brush Kit (2 in Kit)	9.38
17&28	926-670	Supply Tube—Clear	1.59
	928-310	Supply Tube—Black	30.75
18	941-380	Intake Strainer	2.60
19	955-020	Carrying Strap	2.01
20		Motor (available in Motor Kit Only)	
21		Wire Connector (available in Kit Only)	
22		Cord Stop (available in Switch Kit Only)	
23		Switch (available in Switch Kit Only)	
24		Switch Plate Nut (available in Switch Kit Only)	
25		On/Off Plate (available in Switch Kit Only)	
26	950-460	Grommet	.50
27	801-276	Push Nut	.50
29	954-330	Adapter to connect Supply Tube in Flex Kit	1.92
30	944-835	Flex Hose	23.64
31		Outlet Nozzle (available in Nozzle Kit Only)	
32	953-140	Storage Hook	2.98
33	802-043	Storage Hook Screw	.50
34	952-630	Adjustment Hub	1.00
35	801-796	Hub Screw	.50
36	941-400	Outlet Housing	5.28
37	805-202	Canister O-ring	.50
NI	944-820	Cord Kit	10.81
NI	944-830	120V Motor	91.85
NI	944-785	220V Motor	103.15
NI	944-825	Switch Kit	11.94
NI	944-840	Outlet Nozzle Kit—Clear+	23.18
NI	944-855	Outlet Nozzle Kit—Black (Viton)+	53.95

+Outlet Nozzle Kit includes Outlet Nozzle, Adjustment Hub and Supply Tube

"NI" = Not Illustrated

*Shipping and handling will apply.

RL CORPORATION®

1000 Foreman Road, Lowell, MI 49331 U.S.A. (616) 897-9211 - Toll Free 1-800-748-0098

Service Parts for MODEL 1026B

