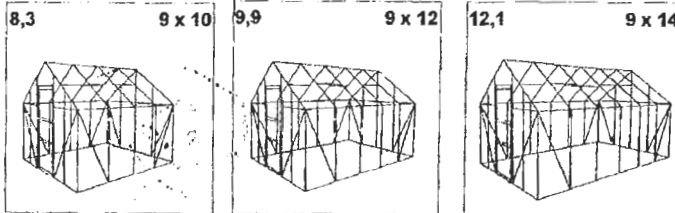
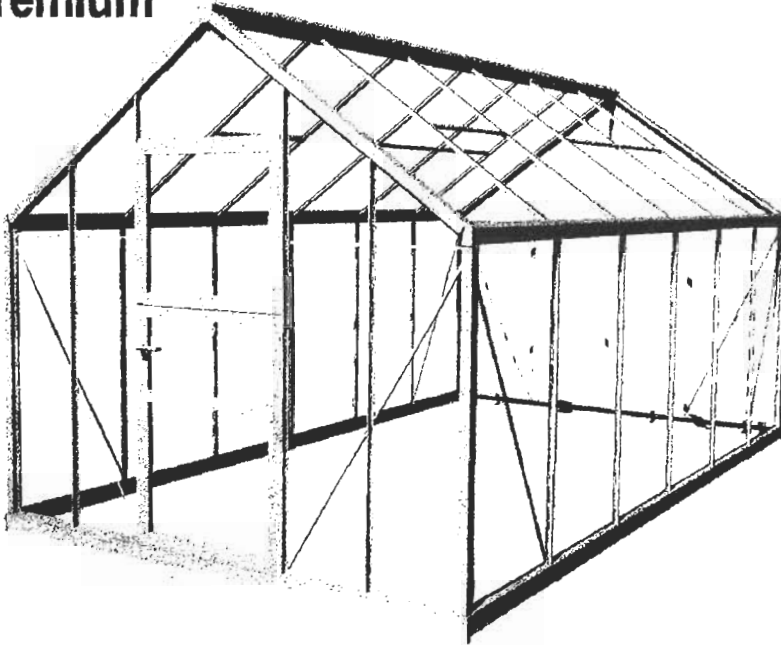


 **JULIANA**



Premium



220103

*Montagevejledning
Montageanleitung
Assembly instructions
Instructions de montage
Montagehandleiding
Instrucciones de montaje
Istruzioni di montaggio
Kokoamisohje*



May we congratulate you on your new Greenhouse

Dear Customer!

The assembly of your new greenhouse requires no technical knowledge. However, it is important that the assembly instructions are followed strictly. The assembly instruction is a combination of text and illustrations. The profiles are packed in separate numbered packs corresponding to the order in the assembly instruction. Erect one pack at a time. All nuts and bolts and fittings are found in bag No. 0 (specified on page 1). Each pack is specified in separate lists of components. All detailed illustrations are marked with symbols:



seen from inside




seen from outside

Precautions

- Assembly must only be carried out in dry and calm weather.
- Always use working gloves while glazing. Greenhouse glass has sharp edges, especially if the glass breaks.
- Assistants and especially children must be warned that broken glass is an element of danger. Pick up broken glass at once and remove it with care.
- We recommend to use protective glasses while fixing the spring wire clips.
- Place the ladder on a level support.
- It is essential to have an assistant.

References

The column marked  indicates the page(s) on which the component is used.

Page 2:

Foundation

The base is not included in this delivery. However, an original base can be bought separately. It ensures you a stable and easy to build base.

If you make your own base the measurements indicated must be external measurements. If you buy an original base you furthermore need about 75 litres of concrete and 6 plastic-/concrete pipes of about 800 mm which are placed in a non-freezing depth for the fastening of the corner and middle anchors.

The base must be 100% level and square; the latter is ensured by checking that the two diagonal measurements are equal.

Tools

The mounting of the greenhouse requires the tools shown on page 1.

Page 4-5:

Place the components as shown on the illustration and assemble in the order shown in the pictures. Do not tighten the nuts completely until the front gable construction has been assembled.



tighten up

Page 6:

The rear gable is assembled in the same way as the front gable with a few changes as shown on the illustrations. Remember to insert extra screws in the profiles No. 22-1, 22-2, & 22-3.

Page 9:

(Fastening to the base).

When constructing your own base you have to drill holes (7 mm) in the ground frame between all the vertical frames, the greenhouse is then fastened to the base with screws (A).

Using an original base the greenhouse is fastened to each vertical bar as shown on (B).

Page 10:

Applies for model 12,1 / 9 x 14.

Page 11-14:

For an easier assembly we recommend that you soap the screws for the doors / windows.

Fitting of glass/polycarbonate Important before glazing!

Make sure that gables and sides are level and square, and that door(s) and window(s) are functioning perfectly.

Page 15-16:

Glazing (illustration 3 to 10)

Degrease the sheets and frames with acetone.

Start glazing from below, one glass at a time.

Apply a 3 mm silicone line on the vertical frames where indicated (dotted lines on the illustration). (A 3 mm line of silicone is sufficient to obtain maximum attachment). If you do use more than recommended, you can buy extra tubes.

Spring wire clips and glassholders are to be fitted as shown.

X Spring wire clips, > Glassholders

In case of broken glass carefully pull it outwards and loosen the silicone by means of a sharp craft knife.

Clean the profile completely before inserting a new pane of glass.

Page 17-19:

Mounting of polycarbonate

Illustration 1 shows the 3 types of plastic mouldings. The illustrations at the bottom of page 17 and 18 show where to mount them. The type indication states the length in mm. A possible adjustment is made by means of a fine-tooth saw.

NB! To avoid the formation of algae the polycarbonate sheets must not come into contact with the ground. Rest them on a piece of cardboard.

6 and 10 mm sheets

To be mounted **only** with plastic mouldings. Remove the protection foil right before fitting. The blue foil/text side outwards. Mark them with a soft lettering pen if necessary.

A-lists are mounted as shown on page 19. Put the sheet into the bottom list, bend the sheet slightly outwards and put it in the top list. M-lists are mounted as shown on page 19. Place the upper part of the list under the alu profile in the whole length of the sheet and hereafter click on the list from above.

Sealing of the polycarbonate sheets

The sheets may be sealed against insects. Close the top end off with alu-tape or silicone. The bottom only with alu-tape or airstrip tape to let condensation out (available at your local dealer).

Now your greenhouse is completely assembled. However, please notice the following:

Maintenance

- Grease doors (hinges and lock or doortrack).
- Clean the gutter for leaves, etc.
- Adjustment of windows.
- Replacement of broken glass.
- Clean the greenhouse with disinfectant before and after the growing season.

Winter Protection

In areas with occurrence of snow we recommend the following winter protection:

- Support the roof ridge at the centre of the greenhouse.
- Remove greater snow loads from the roof.
- Take precautions against snow falling down from for instance a tree or a roof.
- Dismount the cylinders for the automatic window openers, if any (optional extras).
- Secure door(s) and window(s) preventing wind damage to the greenhouse.

Insurance

Please note that not all insurance companies cover greenhouses automatically. Please contact your insurance company to ensure an insurance coverage.

Guarantee

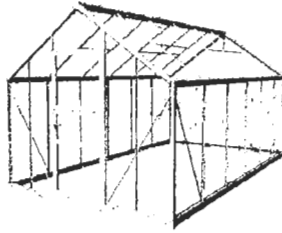
Juliana grants a guarantee of 12 years which covers replacement of faulty parts. The guarantee does not cover polycarbonate, glass, transport, assembly, freight etc. Juliana grants a guarantee of 2 years on painted parts, if any. Note that marks in the painting may occur due to suspension of the profiles.


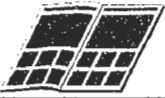





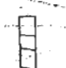


The guarantee is invalid if the greenhouse is not assembled according to these instructions.

Complaints

All our greenhouses are built to high standards of quality. However, should a complaint occur please contact your dealer at once. Remember to specify the defect by indicating the greenhouse model and number of the component and the quality control number.

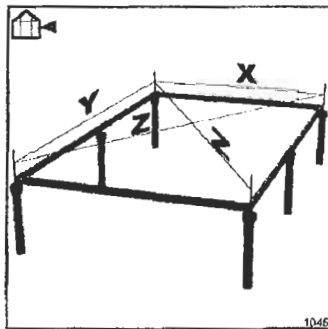
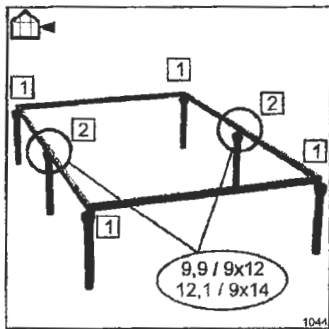
**Oversigt - Survey - Übersicht - Översikt - Vue d'ensemble
Overzicht - Resumen - Schema - Sisällys**



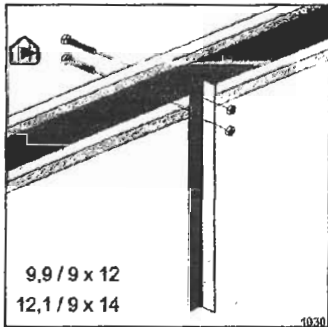
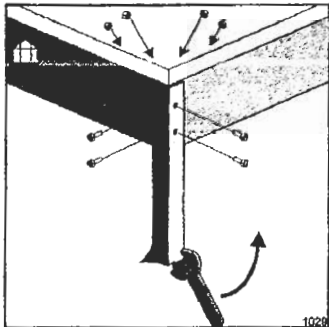
		
	1	4-5
	1	6
	2	7
	2	8
		9
12,1 9x14	2	10
	1	11-12
	2	13-14
		15-19

Tilbehør - Accessories - Zubehör - Tillbehör - Accessoires
 Toebehoren - Accesorios - Accessori - Lisävarusteet

Fundament - Foundation - Fondement - Fundering
 Fundamento - Basamento - Perustus



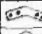
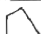





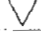






	X	Y	Z
8,3	2734 mm	2958 mm	4028 mm
9 x 10	8' 11" ¹⁰ / ₁₆	9' 8" ⁷ / ₁₆	13' 2" ¹⁰ / ₁₆
9,9	2734 mm	3676 mm	4581 mm
9 x 12	8' 11" ¹⁰ / ₁₆	12' ³ / ₄ "	15' ¹ / ₁₆
12,1	2734 mm	4394 mm	5178 mm
9 x 14	8' 11" ¹⁰ / ₁₆	14' 5"	16' 11" ¹⁴ / ₁₆

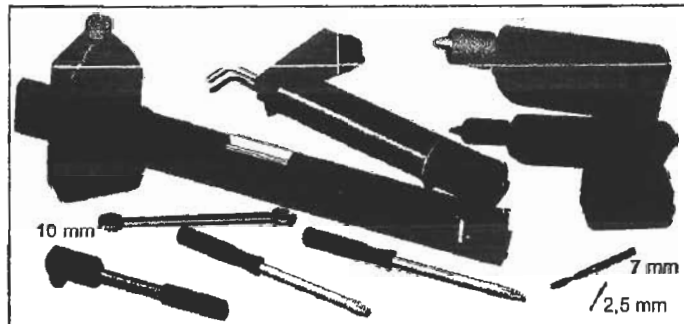


	#	mm	9x10 8,3	9x12 9,9	9x14 12,1
C		2734	2	2	2
		2958	2		
		3676		2	
		4394			2
L			4	6	6
			10	16	16
S			40	4	4
				16	20
B				16	20
				16	18

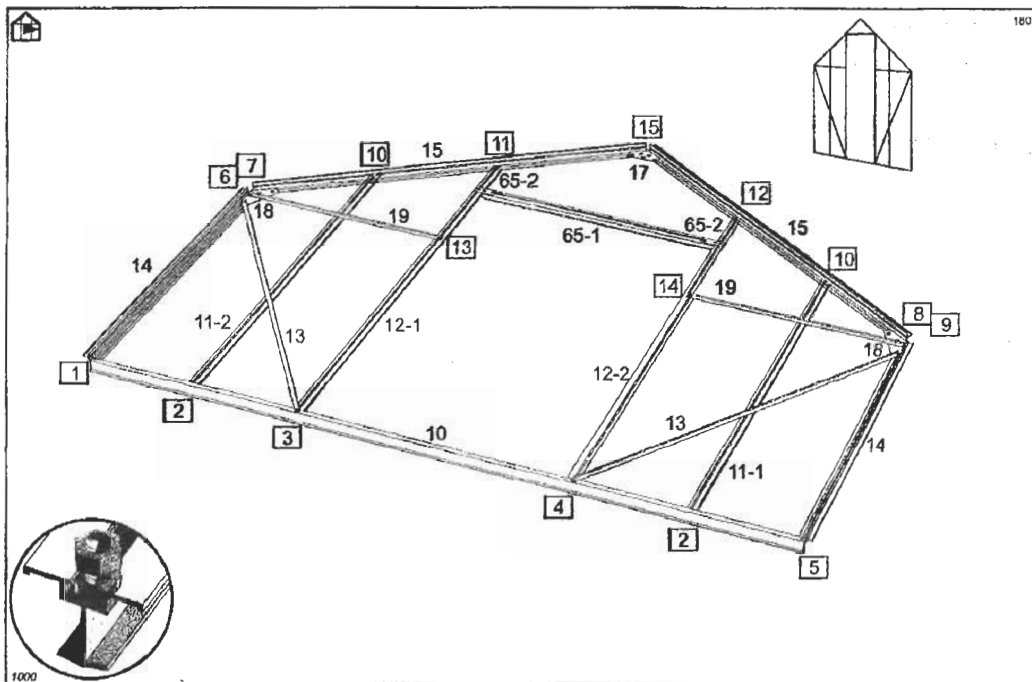
Fittings - Raccorderie - Hulpstukken - Garnitures - Accesorios - Osat

0	#		9x10 8,3	9x12 9,9	9x14 12,1	0	#		9x10 8,3	9x12 9,9	9x14 12,1
	18	4-6	4	4	4		88a	9	2	2	2
	17	4-6	2	2	2		88b	9	2	2	2
	65-2	4	2	2	2		88c	14	2	2	2
	80/81	3-14	115	125	140			17	1	1	1
	85	9	2	2	2		86	9	2	2	2
	84b	9	6	6	6						
	87	9	6	6	6						

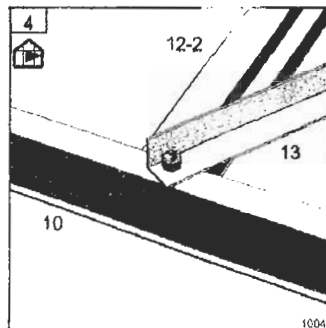
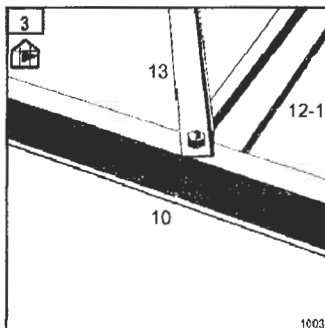
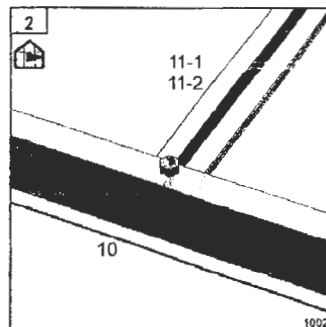
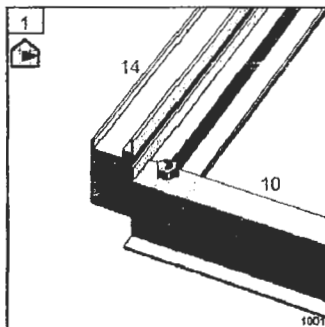
**Værktøj - Tools - Werkzeug - Verktyg - Outillage - Gereedschap
Herramientas - Utensili - Työkalut**



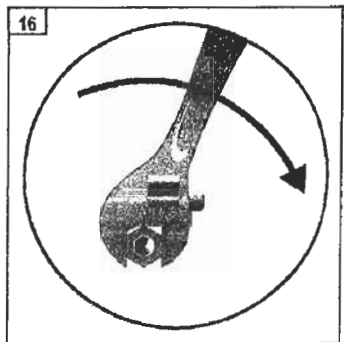
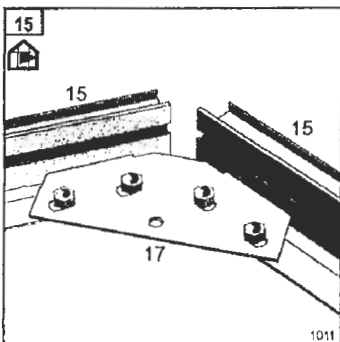
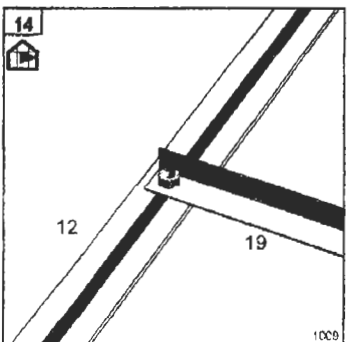
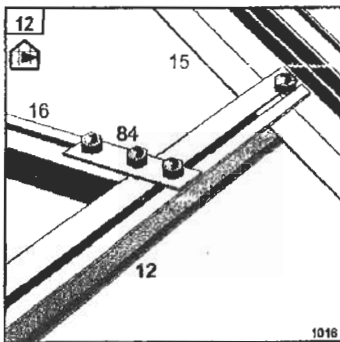
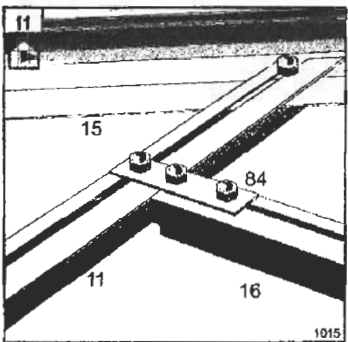
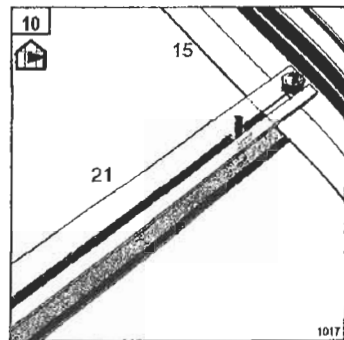
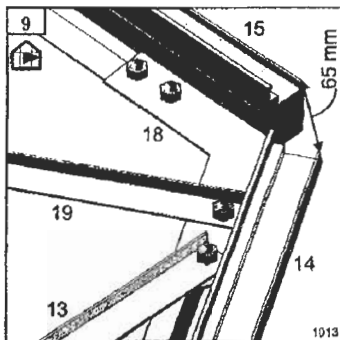
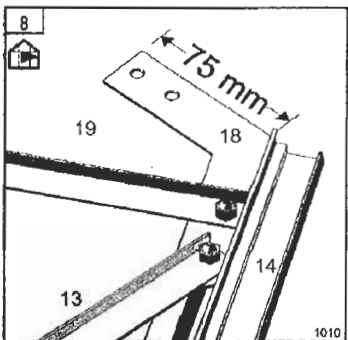
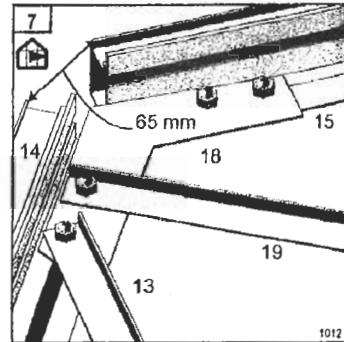
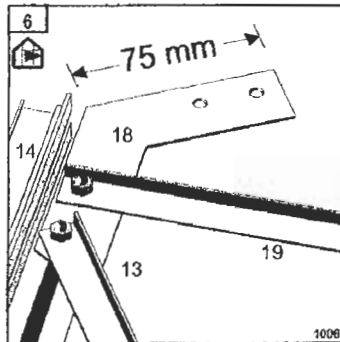
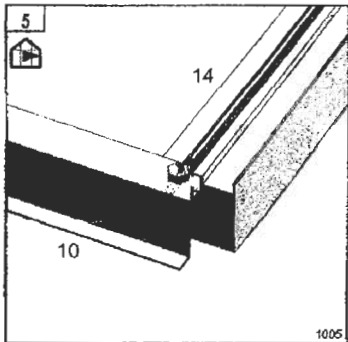
Forgavl - Front gable - Vordergiebel - Frontgavel - Pignon devant -
Voorgevel - Frontis frontal - Pannello frontale - Ovipääty



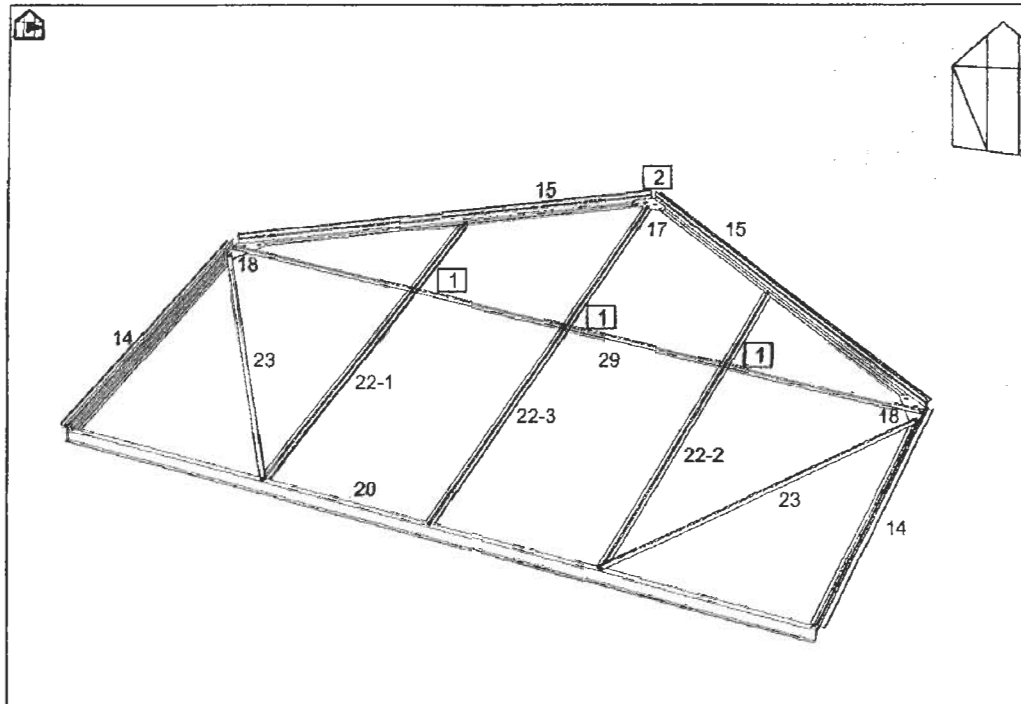
1	è #	mm	9x10 8,3	9x12 9,9	9x14 12,1
	10	2672	1	1	1
	12-1	2044	1	1	1
	12-2	2044	1	1	1
	13	1627	2	2	2
	14	1430	2	2	2
	15	1560	2	2	2
	65-1	833	1	1	1
	19	912	2	2	2
	11-1	1750	1	1	1
	11-2	1750	1	1	1



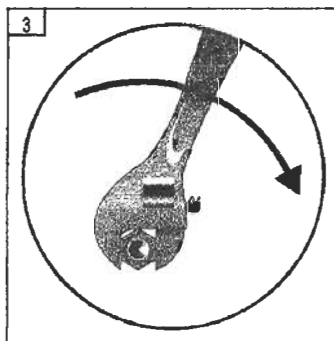
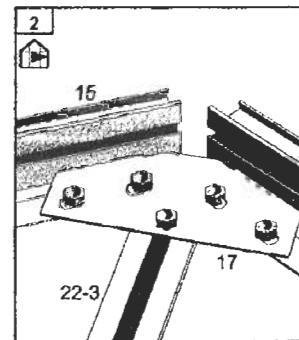
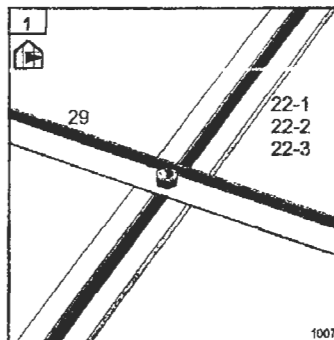
Forgavl - Front gable - Vordergiebel - Frontgavel - Pignon devant -
 Voorgevel - Frontis frontal - Pannello frontale - Ovipääty



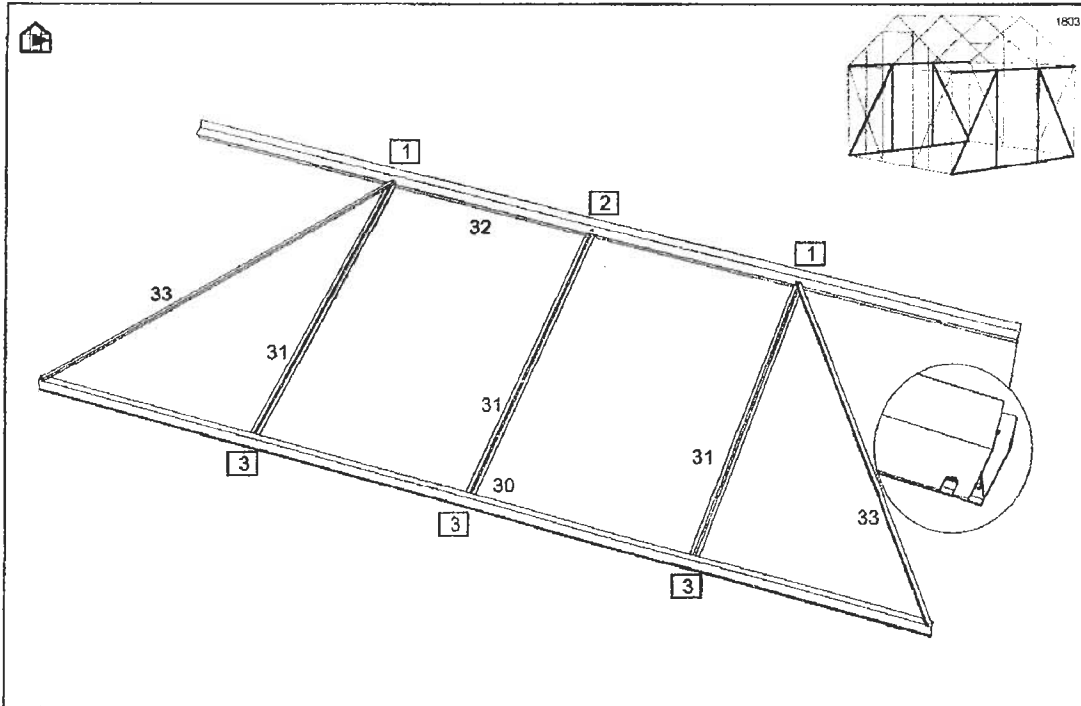
**Baggavl - Rear gable - Hintergiebel - Bakgavel - Pignon derrière -
Achtergevel - Frontis trasero - Pannello posteriore- Peräpäätty**



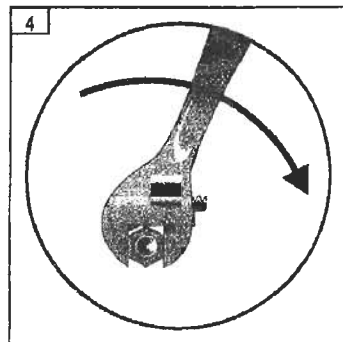
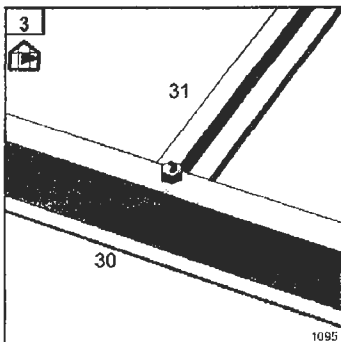
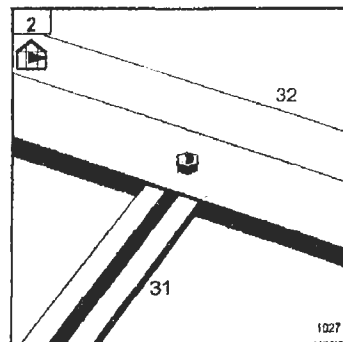
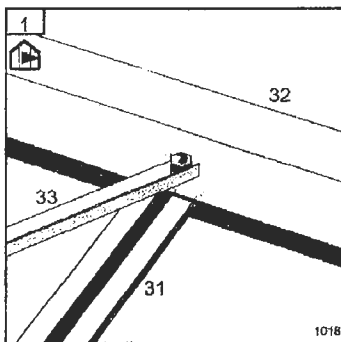
2	is #	mm	9x10	9x12	9x14
			8,3	9,8	12,1
	14	1430	2	2	2
	15	1560	2	2	2
	20	2672	1	1	1
	23	1537	2	2	2
	22-1	1923	1	1	1
	22-2	1923	1	1	1
	22-3	2281	1	1	1
	29	2668	1	1	1



Sider - Sides - Seiten - Sidor - Côtés - Zijkanten
 Laterales - Pannelli laterali - Sivut

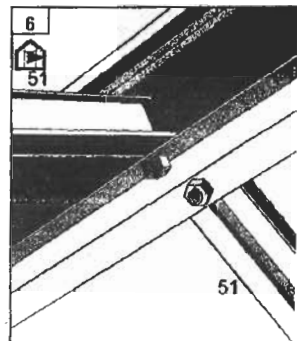
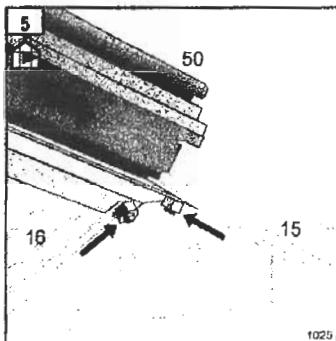
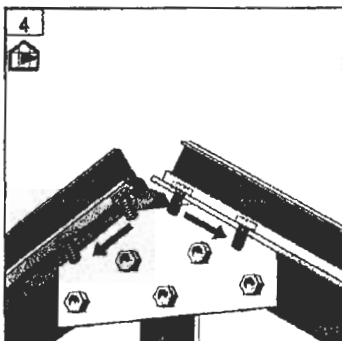
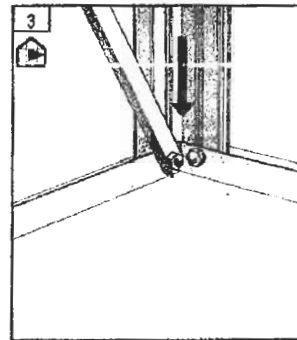
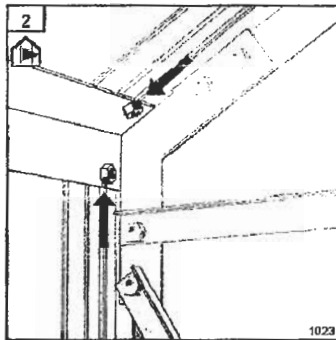
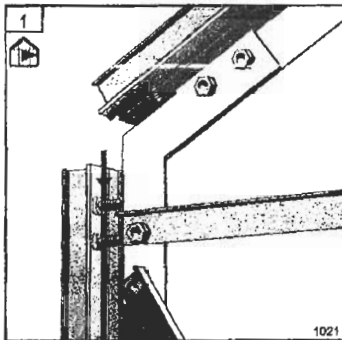
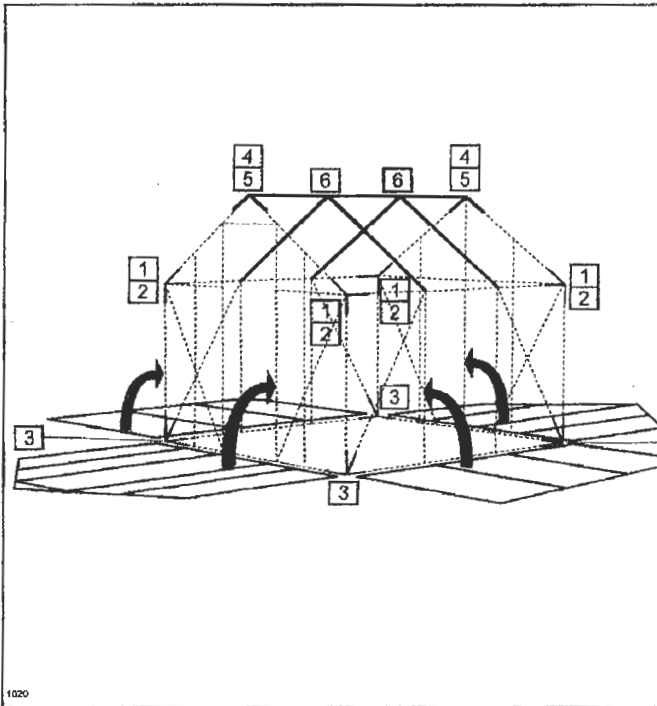


3/4	#	mm	9x10 8,3	9x12 9,9	9x14 12,1
	30	2896	1		
	30	3614		1	
	30	4332			1
	31	1430	3	4	5
	32	2968	1		
	32	3686		1	
	32	4404			1
	33	1595	2	2	2

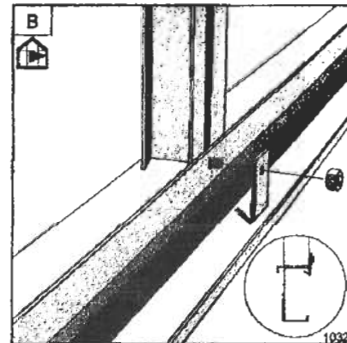
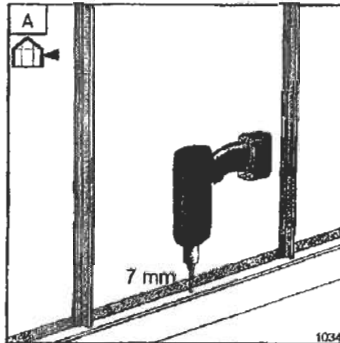
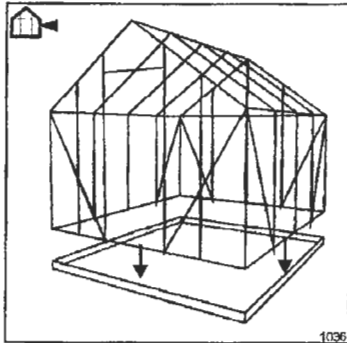


Tag - Roof - Dach - Tak - Toit - Dak - Tejado - Tetto - Katto

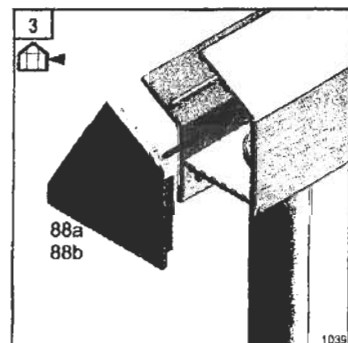
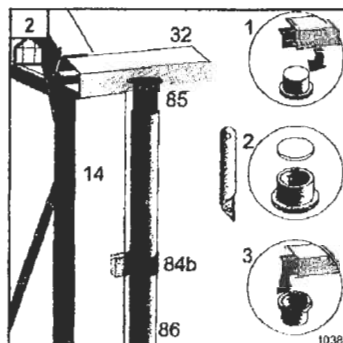
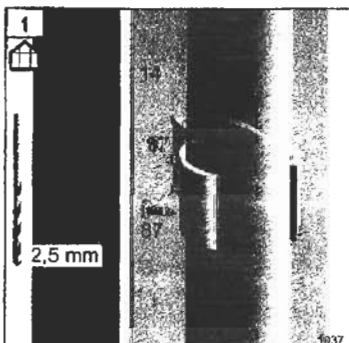
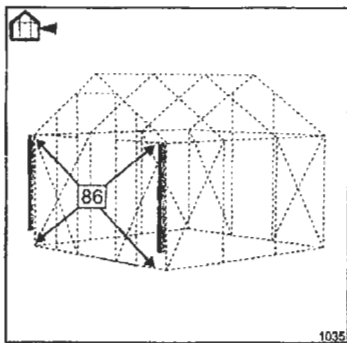
5	#	mm	9x10 8,3	9x12 9,9	9x14 12,1
	50	2968	1		
	50	3686		1	
	50	4404			1
	51	1560	6	8	10



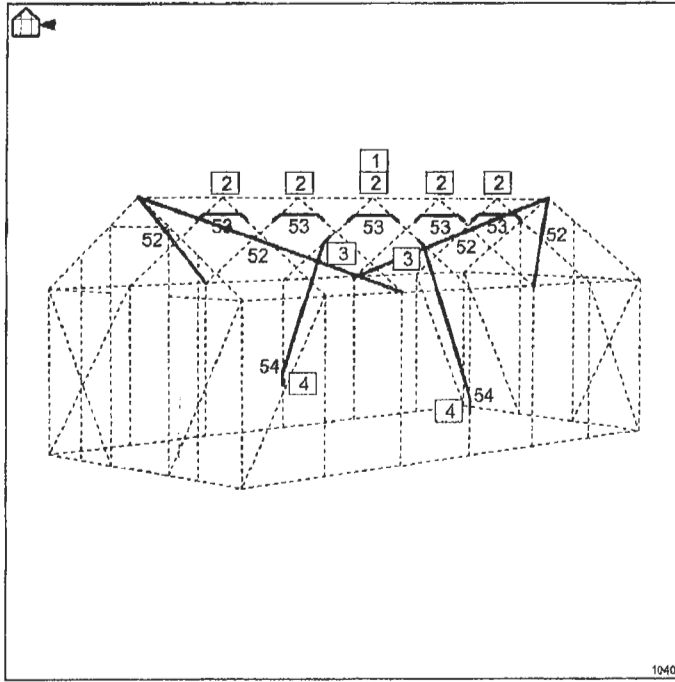
Fundament - Foundation - Fondement - Fundering
 Fundamento - Basamento - Perustus



Nedløb - Downpipe - Fallrohr - Stuprör - Tuyan de descente -
 Goot - Canalón - Scarico - Syöksytörvet

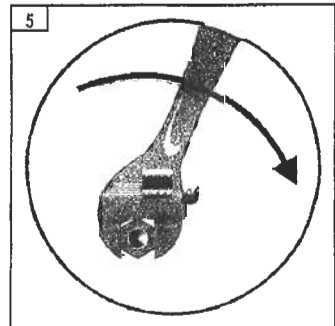
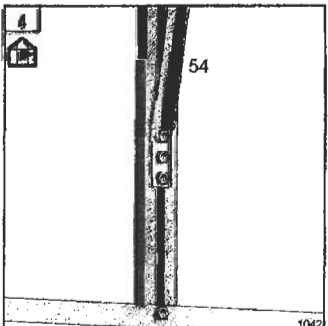
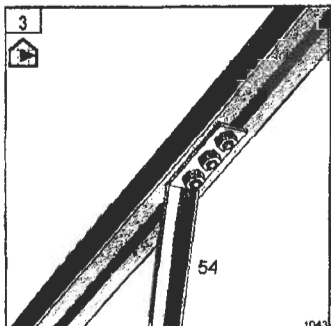
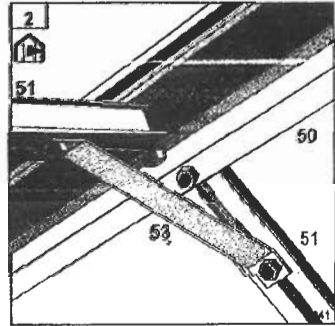
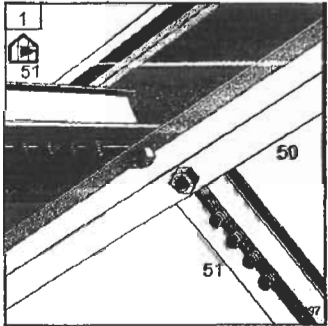


Premium 12,1 & 9 x 14

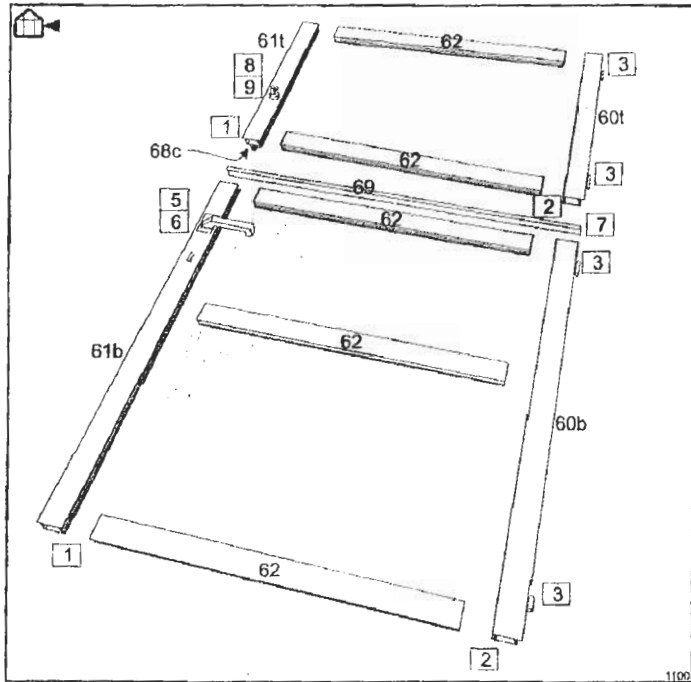


1040

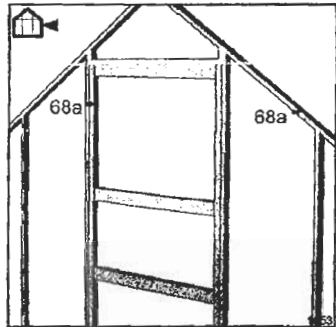
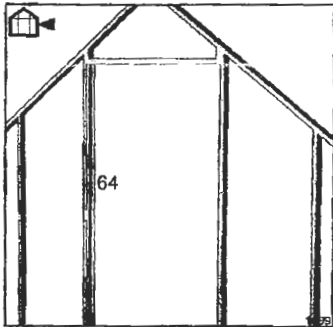
1	LIST #	mm	9x10	9x12	9x14
			8,3	9,9	12,1
	53	250			5
	52	2120			4
	54	2050			2



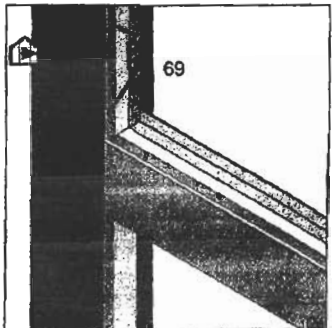
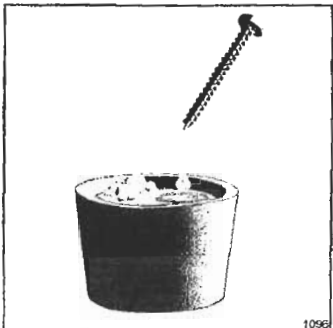
Dør - Door - Tür - Dörr - Porte - Deur - Puerta - Porta - Ovi



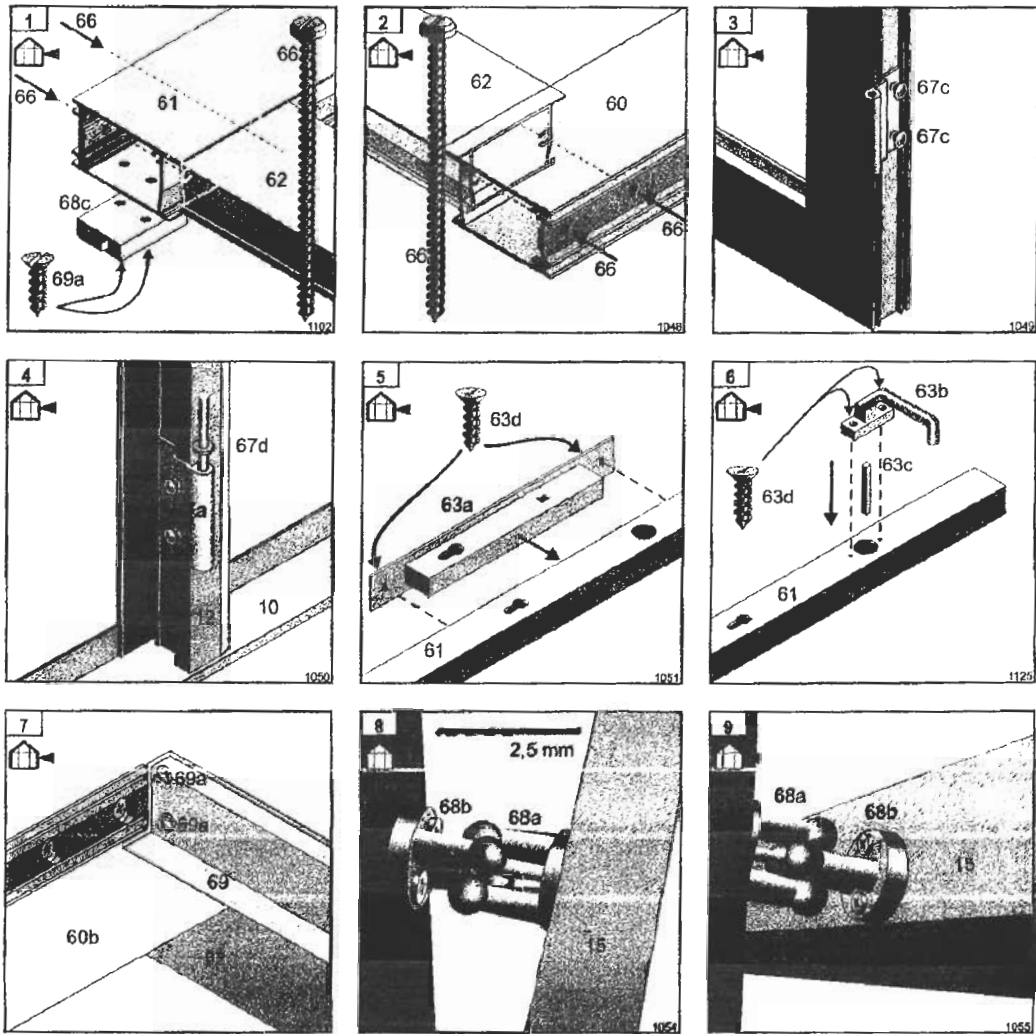
6	#	mm	9x10	9x12	9x14
			8,3	9,9	12,1
	60b	1102	1	1	1
	60t	720	1	1	1
	61b	1102	1	1	1
	61t	720	1	1	1
	62	705	5	5	5
	69	812	1	1	1
	63a		1	1	1
	63b		2	2	2
	63c		1	1	1
	63d		6	6	6
	66		18	18	18
	64	2000	1	1	1
	67a		4	4	4
	67b		4	4	4
	67c		18	18	18
	67d		8	8	8
	68a		2	2	2
	68b		4	4	4



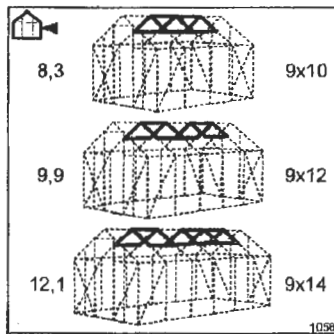
9	#	mm	9x10	9x12	9x14
			8,3	9,9	12,1
	68c		4	4	4
	69a		4	4	4
	66		18	18	18



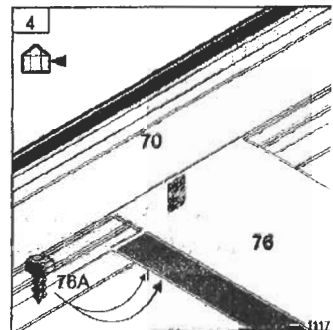
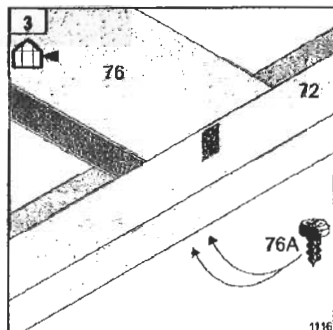
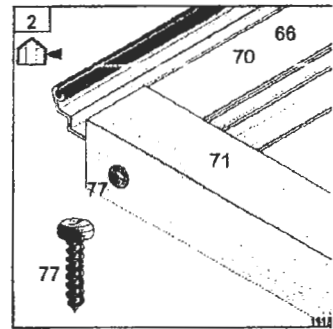
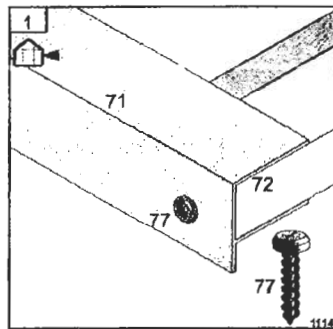
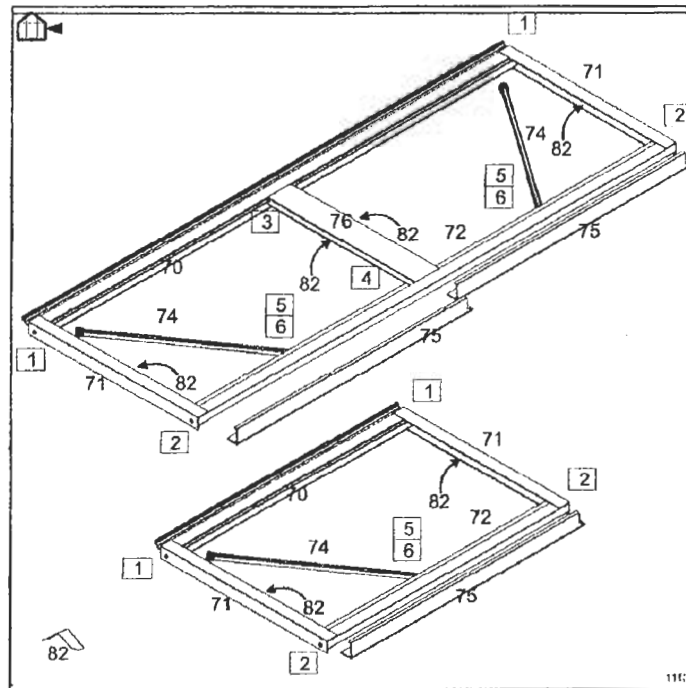
Dør - Door - Tür - Dörr - Porte - Deur - Puerta - Porta - Ovi



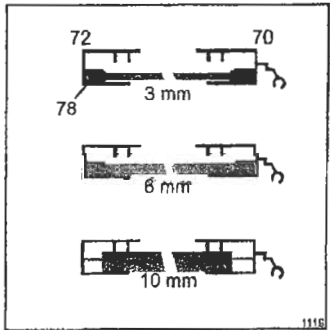
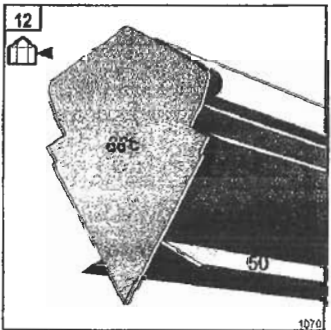
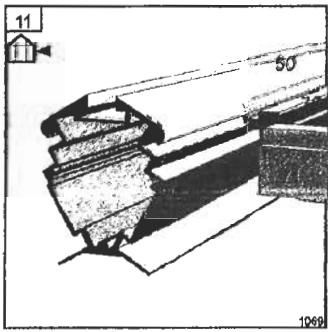
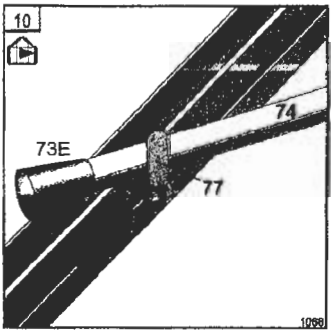
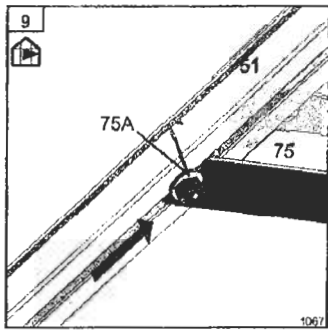
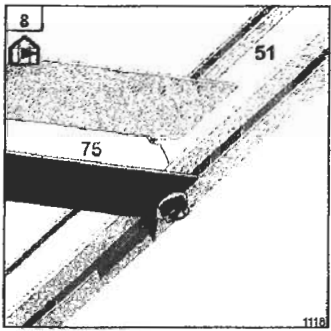
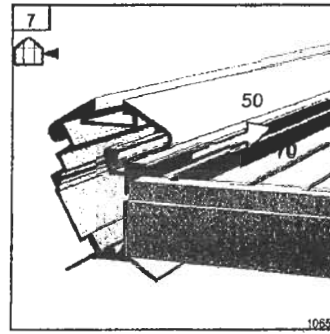
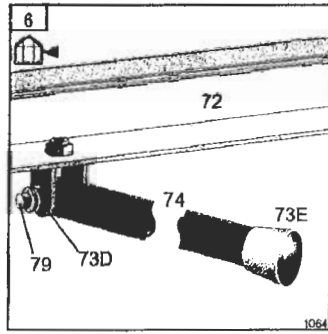
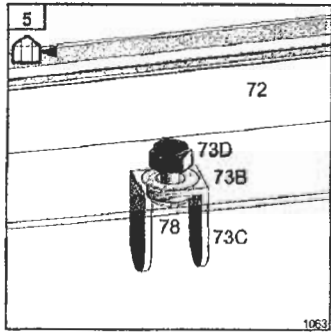
Vinduer - Windows - Fenster - Fönster - Fenêtres -
Ramen - Ventanas - Finestre - Luukut



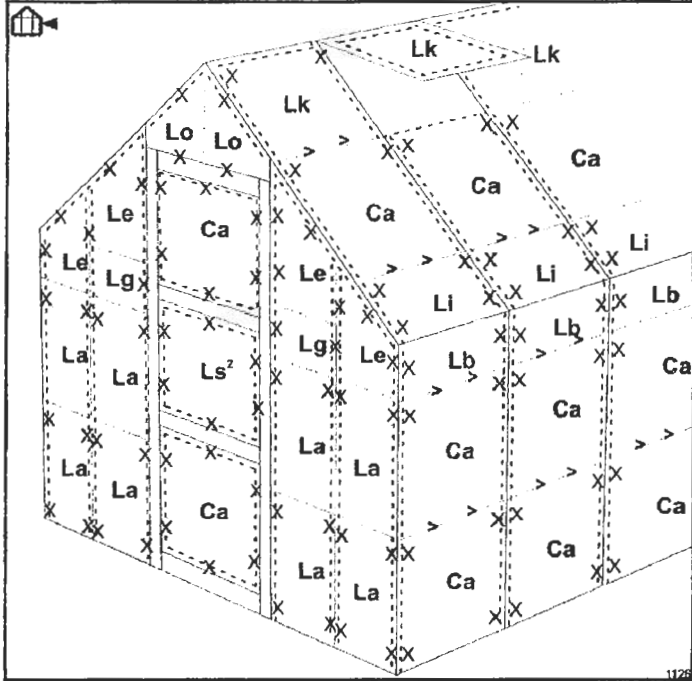
7	#	mm	9x10 8,3	9x12 9,9	9x14 12,1
	70	740		4	2
	70	1457	2		2
	71	543	4	8	8
	72	740	2		2
	72	1457		4	2
	74	510	4	4	6
	75	718	4	4	6
	76		2		2
	77	3,5x16	8	16	16
	78	705	8	8	12
	82		8	8	12
	73B		4	4	6
	73C		4	4	6
	73D		8	8	12
	73E		4	4	6
	77		4	4	6
	78	M5x8	4	4	6
	79	M5x20	4	4	6
	76A	3,5x6,5	8		8
	75A	M5x20	6	8	10



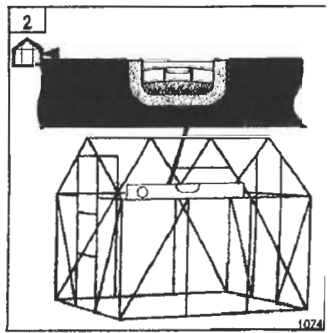
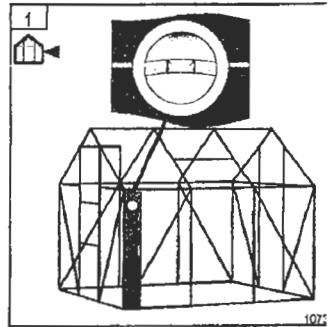
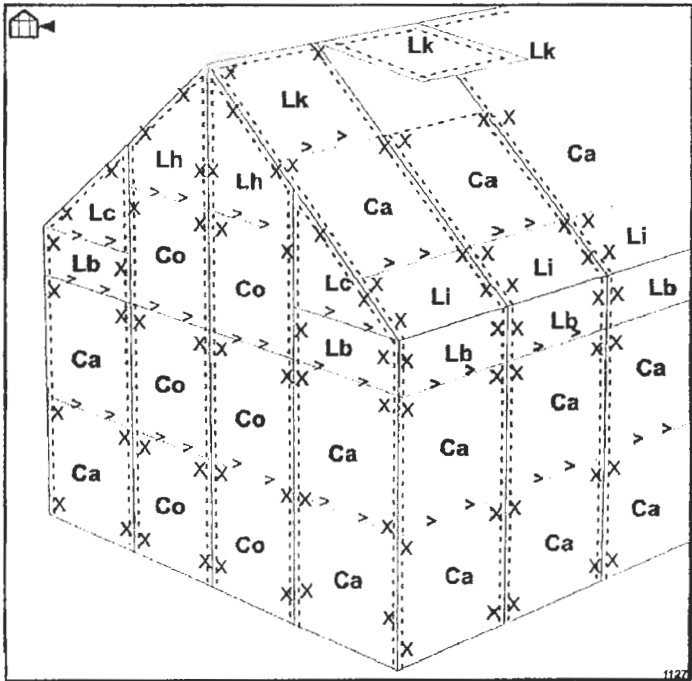
Vinduer - Windows - Fenster - Fönster - Fenêtres -
Ramen - Ventanas - Finestre - Luukut



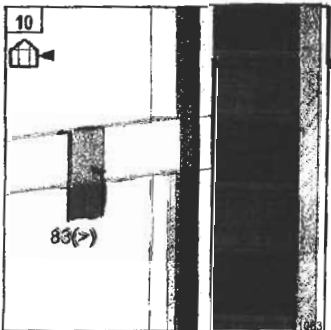
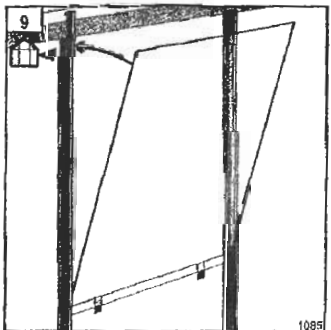
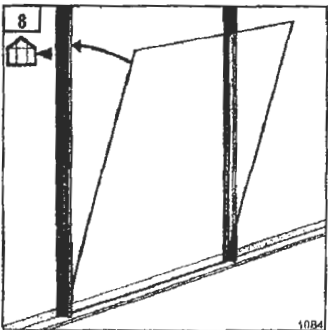
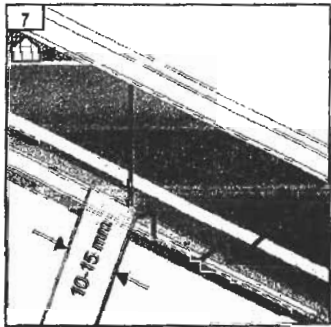
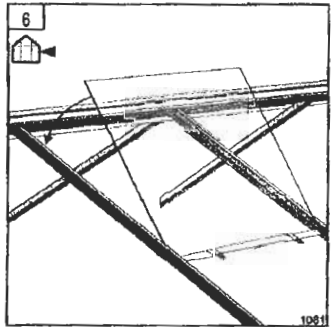
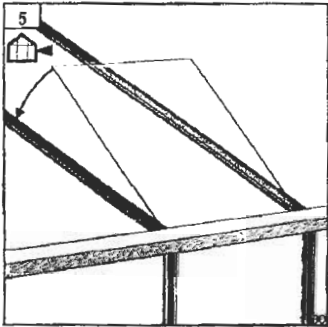
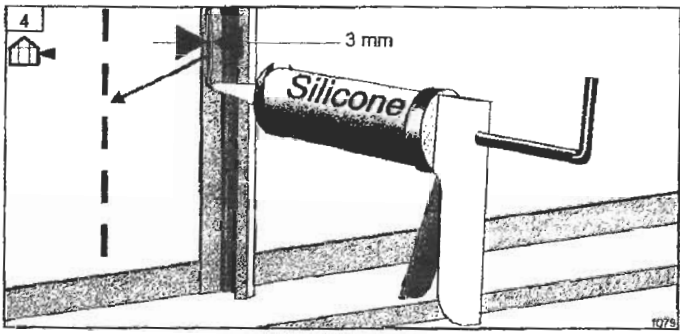
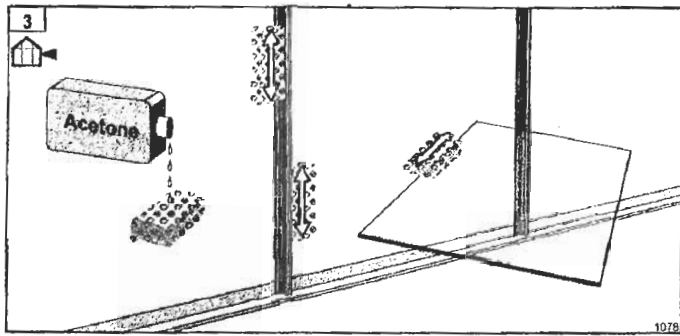
Glas - Glass - Verre - Cristales - Vetro - Lasit



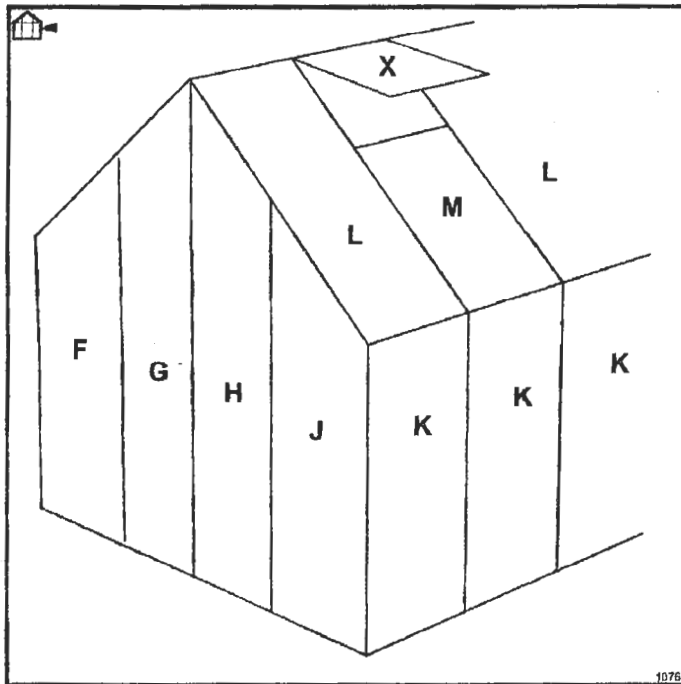
#	mm	9x10 8,3	9x12 9,9	9x14 12,1
Ca	700x610	30	36	42
Lb	700x230	10	12	14
Lc	700x48/490	2	2	2
La	428x610	8	8	8
Le	428x238/508	4	4	4
Lg	428x393	2	2	2
Lh	590x110/485	2	2	2
Lk	700x538	8	10	12
Li	700x435	8	10	12
Co	590x610	6	6	6
Lo	409x150/409	2	2	2
Ls²	700x328	1	1	1
82	X	240	270	300
83	>	105	120	135
		3	4	5



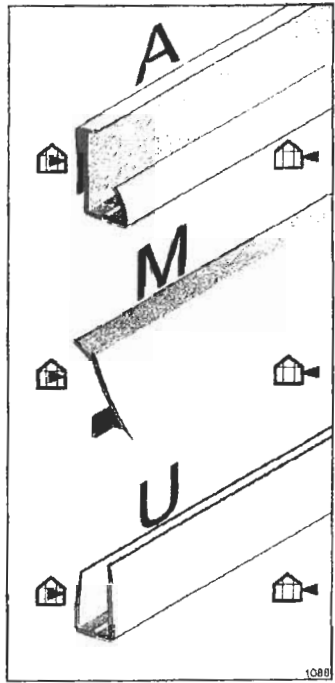
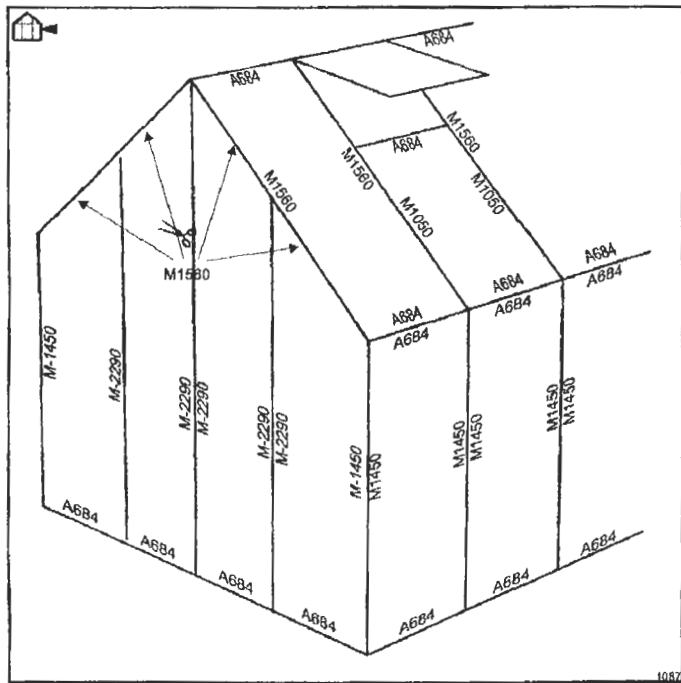
Glas - Glass - Verre - Cristales - Vetro - Lasit



**Polykarbonat - Polycarbonate - Stegdoppelplatten - Isolierplast -
Polycarbonaat - Policarbonato - Kennolevyt**



#	#	mm	9x10 8,3	9x12 9,9	9x14 12,1
	A	410	4	4	4
	A	684	36	40	48
	M	1050	9	9	13
	M	1450	20	24	28
	M	1560	10	10	14
	M	1740	4	4	4
	M	2290	8	8	8
	U	702	6	6	6



Lister - Lists - Leisten - Profils - Profielen - Listones - Listelli - Listat

